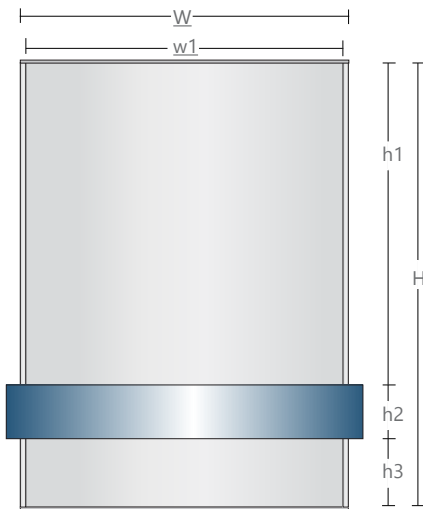


Mirtec's sign frames are made by standard extrusions that can accept a variety of insert materials with a small degree of flexibility, such as vinyl, acrylic, wood veneer, paper and aluminum.

All of Mirtec's frame sizes are manufactured in a number of standard sizes and are given a part number (Mir2122) can be seen in the size chart on each of our sign specification sheets.

Portrait H x W

(top and bottom end cap position)
 where the width marked (W) is constant
 The height (H) is dynamic per your choosing.



$$H = h1 + h2 + h3 + \dots$$

Not Include End caps top & bottom

| Jupiter accentia system | | | |
|-------------------------|------------------|---------------|---------------------------|
| | Insert (w1) | Extrusion (W) | Max insert thickness (IT) |
| 1 | 1.46" / 37mm | 1.57"/40mm | 0.063"/1.60mm |
| 2 | 2.24" / 57mm | 2.36"/60mm | 0.067"/1.70mm |
| 3 | 3.03" / 77mm | 3.14"/80mm | 0.067"/1.70mm |
| 4 | 3.82" / 97mm | 3.93"/100mm | 0.067"/1.70mm |
| 5 | 4.60" / 117mm | 4.72"/120mm | 0.079" / 2mm |
| 6 | 5.79" / 147mm | 5.90"/150mm | 0.079"/2mm |
| 7 | 7.71" / 196mm | 7.87"/200mm | 0.094"/2.4mm |
| 8 | 8.34" / 212mm | 8.54"/217mm | 0.094"/2.4mm |
| 9 | 8.58" / 218mm | 8.70"/221mm | 0.094"/2.4mm |
| 10 | 11.53" / 296mm | 11.80"/300mm | 0.094" / 2.4mm |
| 11 | 15.59" / 396mm | 15.70"/400mm | 0.094" / 2.4mm |
| 12 | 16.41" / 417mm | 16.50"/423mm | 0.094" / 2.4mm |
| 13 | 19.57" / 497mm | 19.60"/500mm | 0.106" / 2.7mm |
| 14 | 23.50" / 597mm | 23.60"/600mm | 0.106" / 2.7mm |
| 15 | 27.44" / 697 mm | 27.56"/700mm | 0.106" / 2.7mm |
| 16 | 31.37" / 797mm | 31.49"/800mm | 0.106" / 2.7mm |
| 17 | 35.31" / 897mm | 35.43"/900mm | 0.106" / 2.7mm |
| 18 | 39.25" / 997mm | 39.37"/1000mm | 0.106" / 2.7mm |
| 19 | 43.19" / 1097 mm | 43.30"/1100mm | 0.106" / 2.7mm |
| 20 | 47.12" / 1197mm | 47.24"/1200mm | 0.106" / 2.7mm |

H of inserts as H of frame

End caps top & bottom

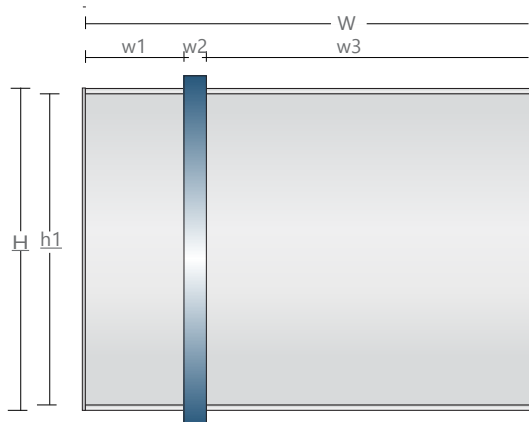
Mirtec's sign frames are made by standard extrusions that can accept a variety of insert materials with a small degree of flexibility, such as vinyl, acrylic, wood veneer, paper and aluminum.

All of Mirtec's frame sizes are manufactured in a number of standard sizes and are given a part number (Mir2122) can be seen in the size chart on each of our sign specification sheets.

Landscape H x W

(End caps on the side)

where the height marked (H) is constant. The width (W) is dynamic and per your choosing.



$$W = w1 + w2 + w3 + \dots$$

Not Include End caps on the side

| Jupiter accentia system | | | |
|-------------------------|-------------------------|-----------------------|---------------------------|
| | Insert (h1) | Extrusion (H) | Max insert thickness (IT) |
| 1 | <u>1.46"</u> / 37mm | <u>1.57"</u> /40mm | <u>0.063"</u> /1.60mm |
| 2 | <u>2.24"</u> / 57mm | <u>2.36"</u> /60mm | <u>0.067"</u> /1.70mm |
| 3 | <u>3.03"</u> / 77mm | <u>3.14"</u> /80mm | <u>0.067"</u> /1.70mm |
| 4 | <u>3.82"</u> / 97mm | <u>3.93"</u> /100mm | <u>0.067"</u> /1.70mm |
| 5 | <u>4.60"</u> / 117mm | <u>4.72"</u> /120mm | <u>0.079"</u> / 2mm |
| 6 | <u>5.79"</u> / 147mm | <u>5.90"</u> /150mm | <u>0.079"</u> /2mm |
| 7 | <u>7.71"</u> /196mm | <u>7.87"</u> /200mm | <u>0.094"</u> /2.4mm |
| 8 | <u>8.34"</u> /212mm | <u>8.54"</u> /217mm | <u>0.094"</u> /2.4mm |
| 9 | <u>8.58"</u> /218mm | <u>8.70"</u> /221mm | <u>0.094"</u> /2.4mm |
| 10 | <u>11.53"</u> / 296mm | <u>11.80"</u> /300mm | <u>0.094"</u> / 2.4mm |
| 11 | <u>15.59"</u> / 396mm | <u>15.70"</u> /400mm | <u>0.094"</u> / 2.4mm |
| 12 | <u>16.41"</u> / 417mm | <u>16.50"</u> /423mm | <u>0.094"</u> / 2.4mm |
| 13 | <u>19.57"</u> / 497mm | <u>19.60"</u> /500mm | <u>0.106"</u> / 2.7mm |
| 14 | <u>23.50"</u> / 597mm | <u>23.60"</u> /600mm | <u>0.106"</u> / 2.7mm |
| 15 | <u>27.44"</u> / 697 mm | <u>27.56"</u> /700mm | <u>0.106"</u> / 2.7mm |
| 16 | <u>31.37"</u> / 797mm | <u>31.49"</u> /800mm | <u>0.106"</u> / 2.7mm |
| 17 | <u>35.31"</u> / 897mm | <u>35.43"</u> /900mm | <u>0.106"</u> / 2.7mm |
| 18 | <u>39.25"</u> / 997mm | <u>39.37"</u> /1000mm | <u>0.106"</u> / 2.7mm |
| 19 | <u>43.19"</u> / 1097 mm | <u>43.30"</u> /1100mm | <u>0.106"</u> / 2.7mm |
| 20 | <u>47.12"</u> / 1197mm | <u>47.24"</u> /1200mm | <u>0.106"</u> / 2.7mm |

W of insert as W of frame

End caps on the side