

# UR Senior sign family

Spec sheets by application and sign type



Room ID

1.

- Room ID Landscape | 1.0 |
- Room ID Portrait | 1.1 |
- Room ID In Use slider | 1.2 |
- Room ID with pull tabs | 1.3 |
- Cubicle | 1.4 |
- Window panel | 1.5 |
- Room ID panel | 1.6 |



Desktop

2.

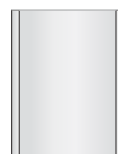
- Desktop Landscape | 2.0 |
- Desktop Portrait | 2.1 |
- Desktop dou sided | 2.1 |



Projecting

3.

- Projecting sign | 3.0 |
- Attached (Landscape)
- Projecting sign | 3.1 |
- Distanced (Portrait)
- Projecting sign | 3.2 |
- Distanced (Landscape)
- Projecting Panel | 3.3 |
- Attached (Portrait)
- Projecting Panel | 3.4 |
- Distanced (Portrait)
- Projecting Sign | 3.5 |
- Distanced (Portrait)



Directory

4.

- Directional (Landscape) | 4.0 |
- Directional (Portrait) | 4.1 |
- Directory | 4.2 |
- w/plastic panels
- Directory | 4.3 |
- multi extrusions



Suspended directional

5.

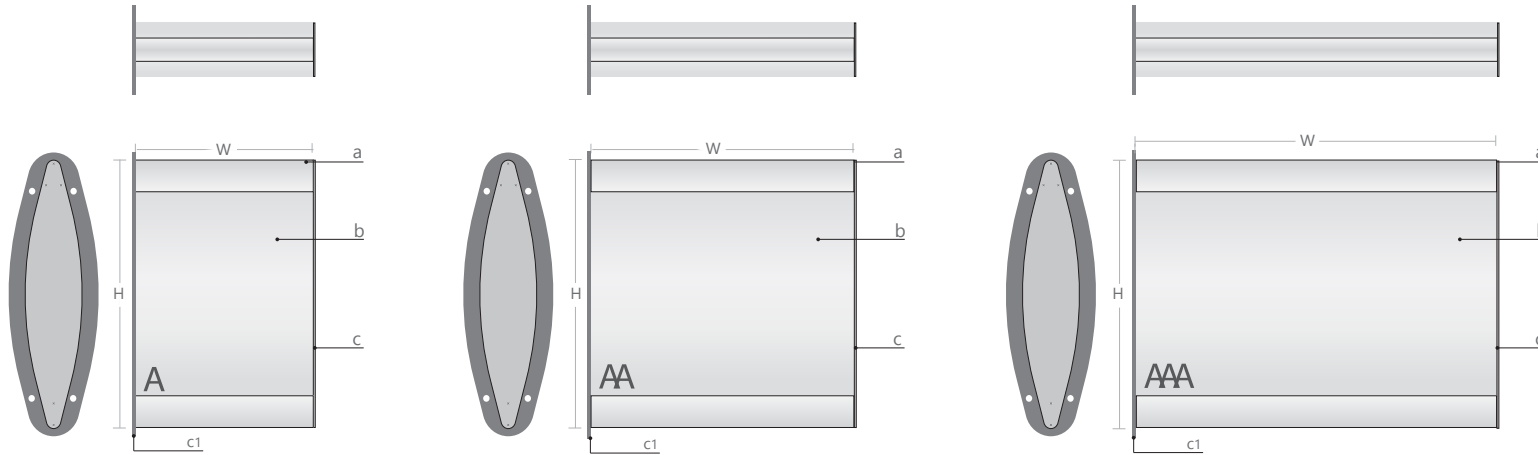
- Suspended directional | 5.0 |
- (Landscape)
- Suspended directional | 5.1 |
- (Portrait)
- Suspended directional | 5.2 |
- leg bracket (Landscape)



Stand

6.

- Base mount stand | 6.0 |
- Post (2 pole) | 6.1 |
- Post (1 pole) | 6.2 |
- Trio | 6.3 |



STANDARD OPTIONS:

UR Senior Sign Family  
Projecting Sign Attached

Mirtec Navigator Application B,C  
Flag Mount Attached Flag mounted,  
Distance Flag mounted,

NOTES:

**a**  
EXTRUSION finish/color options:  
are made from high quality aluminum  
6063 with an anodized or oven cured  
coating.

1. Clear anodized aluminum

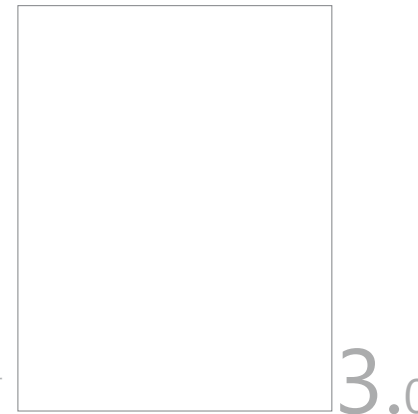
**b**  
INSERT OPTIONS:  
1. Acrylic cover w/ subsurface  
silkscreen and backspray.  
2. Digital printing into anodized  
aluminum by Primodize ®  
3. Painted acrylic cover w/ vinyl  
graphics  
4. Acrylic cover w/digital print

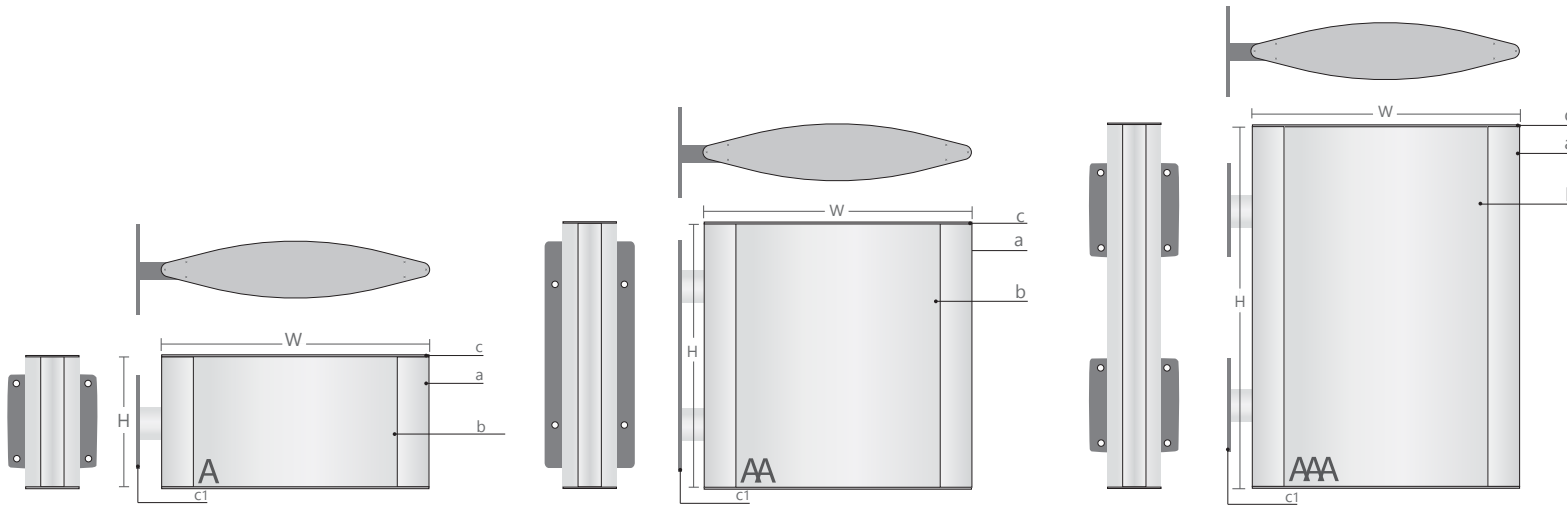
**c**  
END CAPS finish/color options:  
1. Clear anodized aluminum.  
2. Aluminum end cap painted  
standard or custom colors.  
3. Gray or black ABS plastic.

**c1**  
MOUNTING BRACKET  
finish/color options:  
1. Mirtec clear anodized aluminum  
2. Painted aluminum cap standard

| Standard sizes | No. | Part No. | A          |          | AA         |          | AAA        |          |
|----------------|-----|----------|------------|----------|------------|----------|------------|----------|
|                |     |          | H x W      |          | H x W      |          | H x W      |          |
|                |     |          | mm         | inch     | mm         | inch     | mm         | inch     |
|                | 1   | Mir0000  | 600 x 000  | 23.6 x 0 | 600 x 000  | 23.6 x 0 | 600 x 000  | 23.6 x 0 |
|                | 2   | Mir0000  | 700 x 000  | 27.5 x 0 | 700 x 000  | 27.5 x 0 | 700 x 000  | 27.5 x 0 |
|                | 3   | Mir0000  | 800 x 000  | 31.4 x 0 | 800 x 000  | 31.4 x 0 | 800 x 000  | 31.4 x 0 |
|                | 4   | Mir0000  | 900 x 000  | 35.4 x 0 | 900 x 000  | 35.4 x 0 | 900 x 000  | 35.4 x 0 |
|                | 5   | Mir0000  | 1000 x 000 | 39.3 x 0 | 1000 x 000 | 39.3 x 0 | 1000 x 000 | 39.3 x 0 |
|                | 6   | Mir0000  | 1100 x 000 | 43.3 x 0 | 1100 x 000 | 43.3 x 0 | 1100 x 000 | 43.3 x 0 |
|                | 7   | Mir0000  | 1200 x 000 | 47.2 x 0 | 1200 x 000 | 47.2 x 0 | 1200 x 000 | 47.2 x 0 |

**d**  
ACCENT BAR  
(available page no. \*)  
finish/color options:  
1. Standard Mirtec anodized  
colors  
2. Can be painted or powder  
coated





— STANDARD OPTIONS: —

## UR Senior Sign Family Projecting Sign Distanced

Mirtec Navigator Application B,C  
Flag Mount Attached Flag mounted,  
Distance Flag mounted,

**NOTES:**

**a**  
EXTRUSION finish/color options:  
are made from high quality aluminum  
6063 with an anodized or oven cured  
coating.

1. Clear anodized aluminum

**b**  
INSERT OPTIONS:

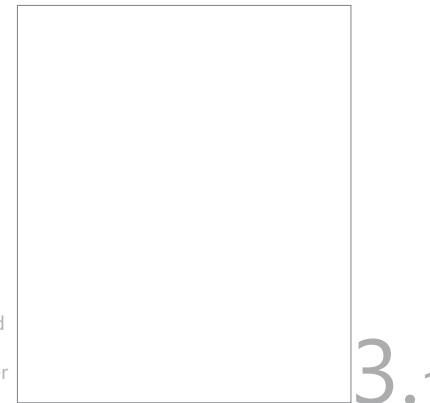
1. Acrylic cover w/ subsurface silkscreen and backspray.
2. Digital printing into anodized aluminum by Primodize ®
3. Painted acrylic cover w/ vinyl graphics
4. Acrylic cover w/digital print

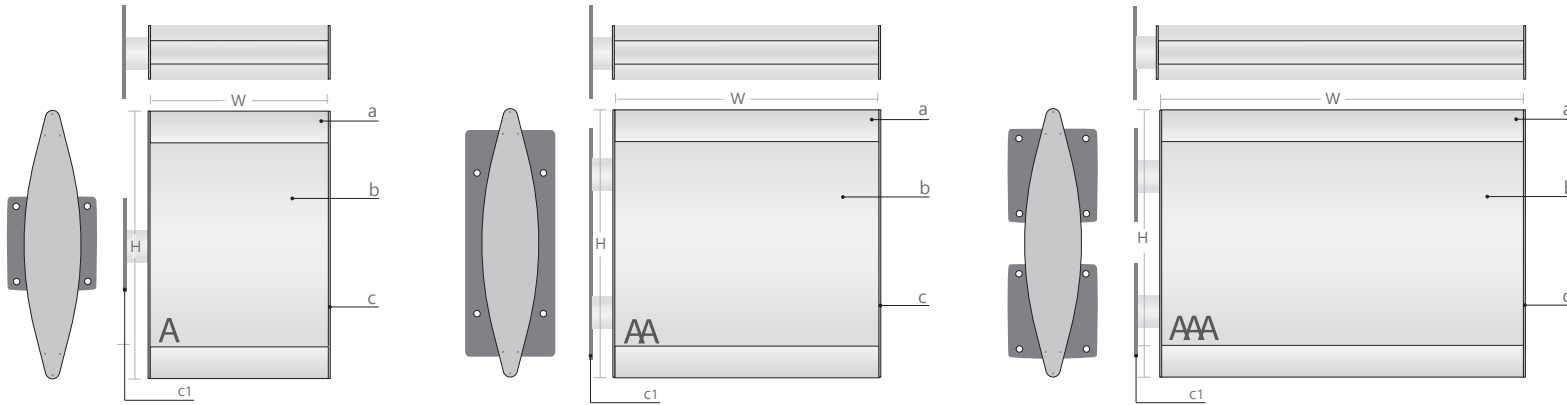
**c**  
END CAPS finish/color options:  
1. Clear anodized aluminum.  
2. Aluminum end cap painted standard or custom colors.  
3. Gray or black ABS plastic.

**c1**  
MOUNTING BRACKET  
finish/color options:  
1. Mirtec clear anodized aluminum  
2. Painted aluminum cap standard

| Standard sizes | No. | Part No. | A          |          | AA         |          | AAA        |          |
|----------------|-----|----------|------------|----------|------------|----------|------------|----------|
|                |     |          | H x W      |          | H x W      |          | H x W      |          |
|                |     |          | mm         | inch     | mm         | inch     | mm         | inch     |
|                | 1   | Mir0000  | 600 x 000  | 23.6 x 0 | 600 x 000  | 23.6 x 0 | 600 x 000  | 23.6 x 0 |
|                | 2   | Mir0000  | 700 x 000  | 27.5 x 0 | 700 x 000  | 27.5 x 0 | 700 x 000  | 27.5 x 0 |
|                | 3   | Mir0000  | 800 x 000  | 31.4 x 0 | 800 x 000  | 31.4 x 0 | 800 x 000  | 31.4 x 0 |
|                | 4   | Mir0000  | 900 x 000  | 35.4 x 0 | 900 x 000  | 35.4 x 0 | 900 x 000  | 35.4 x 0 |
|                | 5   | Mir0000  | 1000 x 000 | 39.3 x 0 | 1000 x 000 | 39.3 x 0 | 1000 x 000 | 39.3 x 0 |
|                | 6   | Mir0000  | 1100 x 000 | 43.3 x 0 | 1100 x 000 | 43.3 x 0 | 1100 x 000 | 43.3 x 0 |
|                | 7   | Mir0000  | 1200 x 000 | 47.2 x 0 | 1200 x 000 | 47.2 x 0 | 1200 x 000 | 47.2 x 0 |

**d**  
ACCENT BAR  
(available page no.\*)  
finish/color options:  
1. Standard Mirtec anodized colors  
2. Can be painted or powder coated





## UR Senior Sign Family Projecting Sign Distanced

Mirtec Navigator Application B,C  
Flag Mount Attached Flag mounted,  
Distance Flag mounted,

### NOTES:

**a**  
EXTRUSION finish/color options:  
are made from high quality aluminum  
6063 with an anodized or oven cured  
coating  
1. Clear anodized aluminum

**b**  
INSERT OPTIONS:  
1. 1. .040 aluminum backed  
photopolymer w/ raised  
symbols/copy and ADA compliant  
braille. Tip symbols/copy to contrast  
background. braille to remain  
background color  
2. Digital printing onto anodized  
aluminum by Primodize®

**c**  
END CAPS finish/color options:  
1. Clear anodized aluminum  
2. Can be painted or powder coated  
3. Gray or black ABS plastic

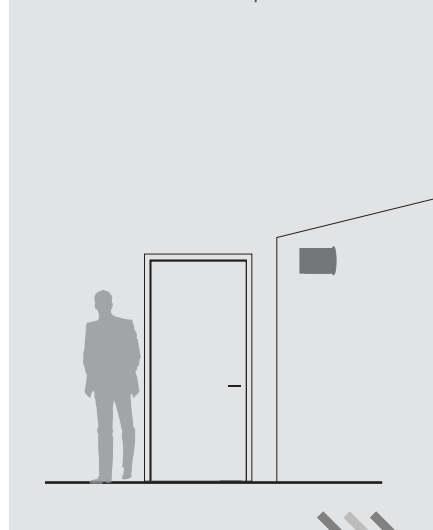
**c1**  
MOUNTING BRACKET  
finish/color options:  
1. Mirtec clear anodized aluminum  
2. Painted aluminum cap standard

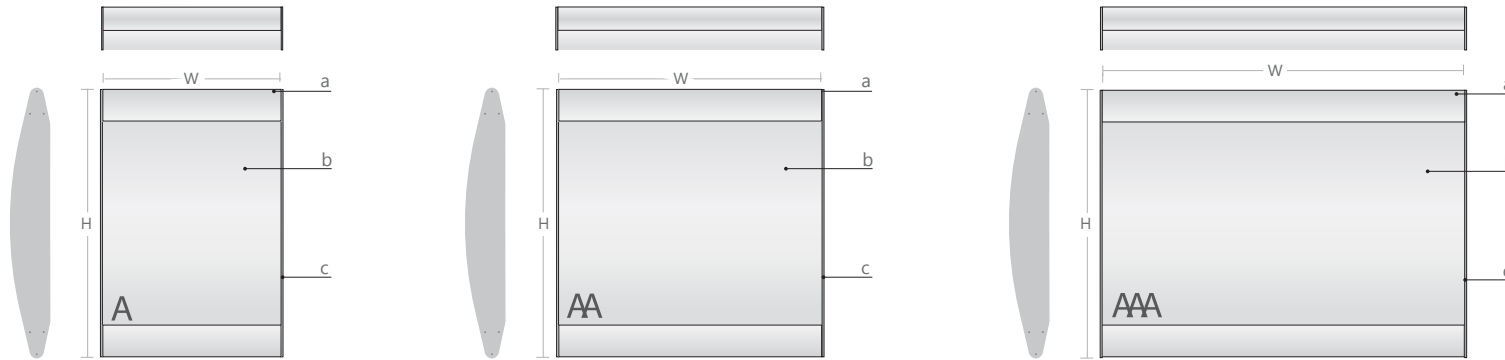
| Standard sizes |          | A          |          | AA         |          | AAA        |          |
|----------------|----------|------------|----------|------------|----------|------------|----------|
| No.            | Part No. | H x W      |          | H x W      |          | H x W      |          |
|                |          | mm         | inch     | mm         | inch     | mm         | inch     |
| 1              | Mir0000  | 600 x 000  | 23.6 x 0 | 600 x 000  | 23.6 x 0 | 600 x 000  | 23.6 x 0 |
| 2              | Mir0000  | 700 x 000  | 27.5 x 0 | 700 x 000  | 27.5 x 0 | 700 x 000  | 27.5 x 0 |
| 3              | Mir0000  | 800 x 000  | 31.4 x 0 | 800 x 000  | 31.4 x 0 | 800 x 000  | 31.4 x 0 |
| 4              | Mir0000  | 900 x 000  | 35.4 x 0 | 900 x 000  | 35.4 x 0 | 900 x 000  | 35.4 x 0 |
| 5              | Mir0000  | 1000 x 000 | 39.3 x 0 | 1000 x 000 | 39.3 x 0 | 1000 x 000 | 39.3 x 0 |
| 6              | Mir0000  | 1100 x 000 | 43.3 x 0 | 1100 x 000 | 43.3 x 0 | 1100 x 000 | 43.3 x 0 |
| 7              | Mir0000  | 1200 x 000 | 47.2 x 0 | 1200 x 000 | 47.2 x 0 | 1200 x 000 | 47.2 x 0 |

**d**  
ACCENT BAR  
(available page no.)\*  
finish/color options:  
1. Standard Mirtec anodized  
colors  
2. Can be painted or powder  
coated



3.2





STANDARD OPTIONS:

| Standard sizes |          | A          |          | AA         |          | AAA        |          |
|----------------|----------|------------|----------|------------|----------|------------|----------|
| No.            | Part No. | H x W      |          | H x W      |          | H x W      |          |
|                |          | mm         | inch     | mm         | inch     | mm         | inch     |
| 1              | Mir0000  | 500 x 000  | 19.6 x 0 | 500 x 000  | 19.6 x 0 | 500 x 000  | 19.6 x 0 |
| 2              | Mir0000  | 600 x 000  | 23.6 x 0 | 600 x 000  | 23.6 x 0 | 600 x 000  | 23.6 x 0 |
| 3              | Mir0000  | 700 x 000  | 27.5 x 0 | 700 x 000  | 27.5 x 0 | 700 x 000  | 27.5 x 0 |
| 4              | Mir0000  | 800 x 000  | 31.4 x 0 | 800 x 000  | 31.4 x 0 | 800 x 000  | 31.4 x 0 |
| 5              | Mir0000  | 900 x 000  | 35.4 x 0 | 900 x 000  | 35.4 x 0 | 900 x 000  | 35.4 x 0 |
| 6              | Mir0000  | 1000 x 000 | 39.3 x 0 | 1000 x 000 | 39.3 x 0 | 1000 x 000 | 39.3 x 0 |
| 7              | Mir0000  | 1100 x 000 | 43.3 x 0 | 1100 x 000 | 43.3 x 0 | 1100 x 000 | 43.3 x 0 |
| 8              | Mir0000  | 1200 x 000 | 47.2 x 0 | 1200 x 000 | 47.2 x 0 | 1200 x 000 | 47.2 x 0 |

**d**  
 ACCENT BAR  
 (available page no.\*)  
 Finish/color Options:  
 1. Standard Mirtec anodized Colors  
 2. can be painted or powder coated

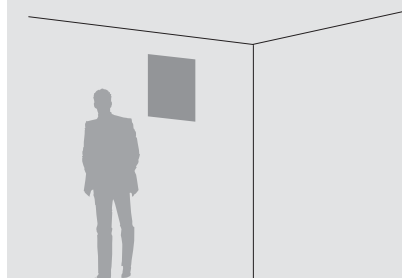


UR Senior Sign Family  
 Wall Mounted Directional

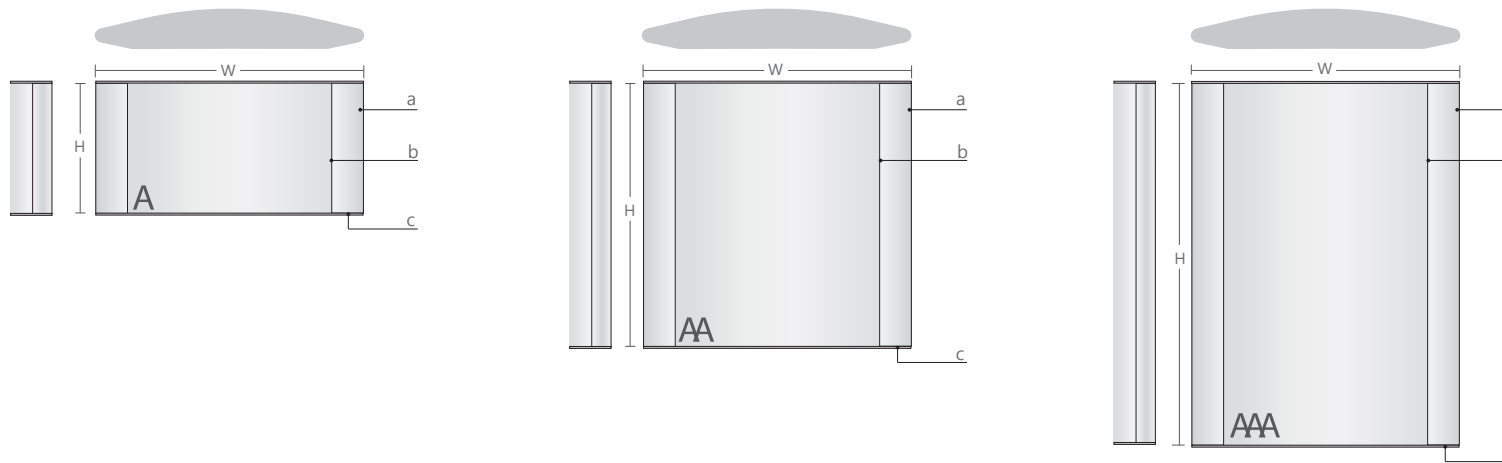
Mirtec Navigator Application B  
 Emergency Evacuation, Map, Department ID,  
 Regulatory Information

NOTES:

- a**  
 EXTRUSION finish/color options:  
 are made from high quality aluminum 6063 with an anodized or oven cured coating  
 1. Clear anodized aluminum
- b**  
 INSERT OPTIONS:  
 1. Graphic sign fronts:  
 engraved, laminated, silk screened, Imprinted with braille or photo metal finished  
 2. Applied vinyl on aluminum insert  
 3. 1. .040 aluminum backed photopolymer w/ raised symbols/copy and ADA compliant braille. Tip symbols/copy to contrast background Braille to remain background color  
 4. Acrylic cover w/ paper insert  
 5. Digital printing onto anodized aluminum by Primodize® or direct on clear cover
- PANELS  
 1. Plastic divider black or silver with strips of clear cover  
 2. Natural or anodized alum strips
- c**  
 END CAPS finish/color options:  
 1. Clear anodized aluminum  
 2. Can be painted or powder coated  
 3. Gray or black ABS plastic  
 4. Clear anodized aluminum base



— PORTRAIT —



— STANDARD OPTIONS: —

| Standard sizes | No. | Part No. | A          |          | AA         |          | AAA        |          |
|----------------|-----|----------|------------|----------|------------|----------|------------|----------|
|                |     |          | H x W      |          | H x W      |          | H x W      |          |
|                |     |          | mm         | inch     | mm         | inch     | mm         | inch     |
|                | 1   | Mir0000  | 500 x 000  | 19.6 x 0 | 500 x 000  | 19.6 x 0 | 500 x 000  | 19.6 x 0 |
|                | 2   | Mir0000  | 600 x 000  | 23.6 x 0 | 600 x 000  | 23.6 x 0 | 600 x 000  | 23.6 x 0 |
|                | 3   | Mir0000  | 700 x 000  | 27.5 x 0 | 700 x 000  | 27.5 x 0 | 700 x 000  | 27.5 x 0 |
|                | 4   | Mir0000  | 800 x 000  | 31.4 x 0 | 800 x 000  | 31.4 x 0 | 800 x 000  | 31.4 x 0 |
|                | 5   | Mir0000  | 900 x 000  | 35.4 x 0 | 900 x 000  | 35.4 x 0 | 900 x 000  | 35.4 x 0 |
|                | 6   | Mir0000  | 1000 x 000 | 39.3 x 0 | 1000 x 000 | 39.3 x 0 | 1000 x 000 | 39.3 x 0 |
|                | 7   | Mir0000  | 1100 x 000 | 43.3 x 0 | 1100 x 000 | 43.3 x 0 | 1100 x 000 | 43.3 x 0 |
|                | 8   | Mir0000  | 1200 x 000 | 47.2 x 0 | 1200 x 000 | 47.2 x 0 | 1200 x 000 | 47.2 x 0 |

**d**  
**ACCENT BAR**  
 (available page no.\*)  
 finish/color options:  
 1. Standard Mirtec anodized colors  
 2. Can be painted or powder coated



4.1

UR Senior Sign Family

Directional

Mirtec Navigator Application B,C,D  
 Multiple Panels

NOTES:

**a**

EXTRUSION finish/color options:  
 are made from high quality aluminum 6063 with an anodized or oven cured coating

1. Clear anodized aluminum

**b**

INSERT OPTIONS:

1. Graphic sign fronts:  
 engraved, laminated, silk screened, Imprinted with braille or photo metal finished
2. Applied vinyl on aluminum insert
3. 1. .040 aluminum backed photopolymer w/ raised symbols/copy and ADA compliant braille. Tip symbols/copy to contrast background braille to remain background color
4. Acrylic cover w/ paper insert
5. Digital printing onto anodized aluminum by Primodize® or direct on clear cover

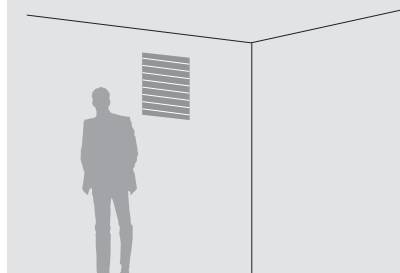
PANELS

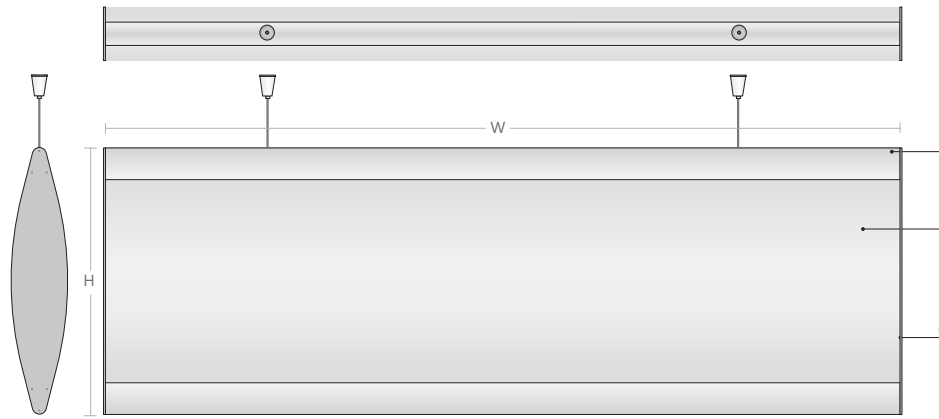
1. Natural or anodized alum strips

**c**

END CAPS finish/color options:

1. Clear anodized aluminum
2. Can be painted or powder coated
3. Gray or black ABS plastic
4. Clear anodized aluminum base

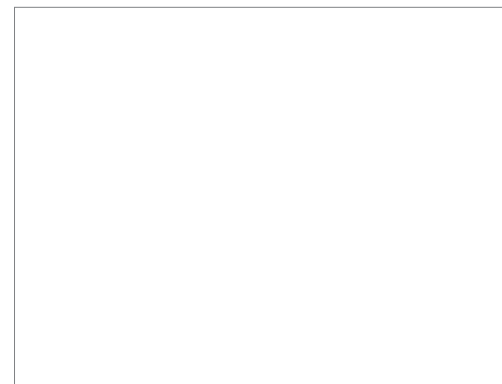




End cap on the sides

STANDARD OPTIONS:

| Standard sizes |          | A         |          | AA        |          | AAA       |          |
|----------------|----------|-----------|----------|-----------|----------|-----------|----------|
| No.            | Part No. | H x W     |          | H x W     |          | H x W     |          |
|                |          | mm        | inch     | mm        | inch     | mm        | inch     |
| 1              | Mir0000  | 500 x 000 | 19.6 x 0 | 500 x 000 | 19.6 x 0 | 500 x 000 | 19.6 x 0 |
| 2              | Mir0000  | 600 x 000 | 23.6 x 0 | 600 x 000 | 23.6 x 0 | 600 x 000 | 23.6 x 0 |
| 3              | Mir0000  | 700 x 000 | 27.5 x 0 | 700 x 000 | 27.5 x 0 | 700 x 000 | 27.5 x 0 |
| 4              | Mir0000  | 800x 000  | 31.4x 0  | 800x 000  | 31.4x 0  | 800x 000  | 31.4x 0  |
| 5              | Mir0000  | 900 x 000 | 35.4 x 0 | 900 x 000 | 35.4 x 0 | 900 x 000 | 35.4 x 0 |
| 6              | Mir0000  | 1000 x000 | 39.3 x0  | 1000 x000 | 39.3 x0  | 1000 x000 | 39.3 x0  |
| 7              | Mir0000  | 1100 x000 | 43.3 x0  | 1100 x000 | 43.3 x0  | 1100 x000 | 43.3 x0  |
| 8              | Mir0000  | 1200 x000 | 47.2 x0  | 1200 x000 | 47.2 x0  | 1200 x000 | 47.2 x0  |



5.0

UR Senior Sign Family  
Suspended Directional

Mirtec Navigator Application B  
Suspended, Overhead

NOTES:

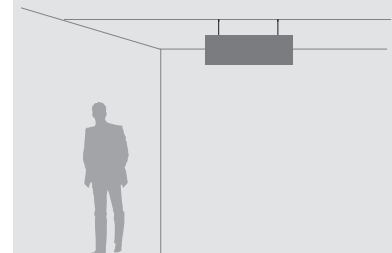
- a**
- EXTRUSION finish/color options:  
are made from high quality aluminum 6063 with an anodized or oven cured coating
1. clear anodized aluminum

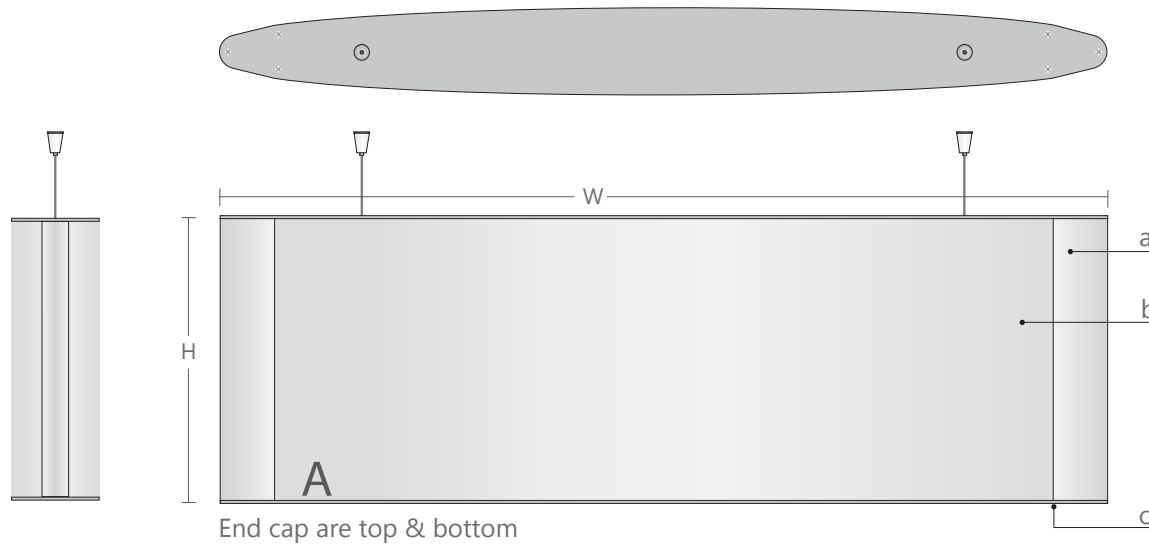
- b**
- INSERT OPTIONS:
1. Graphic sign fronts: engraved, laminated, silk screened, Imprinted with braille or photo metal finished
  2. Applied vinyl on aluminum insert
  3. 1. .040 aluminum backed photopolymer w/ raised symbols/copy and ADA compliant braille. Tip symbols/copy to contrast background Braille to remain background color
  4. Acrylic cover w/ paper insert
  5. Digital printing onto anodized aluminum by Primodize® or direct on clear cover

- PANELS
1. Plastic divider black or silver with strips of clear cover
  2. Natural or anodized alum strips

- c**
- END CAPS finish/color options:
1. Clear anodized aluminum
  2. Can be painted or powder coated
  3. Gray or black ABS plastic

- d**
- ACCENT BAR (available page no.\*) finish/color options:
1. Standard Mirtec anodized colors
  2. Can be painted or powder coated





— STANDARD OPTIONS: —

| Standard sizes |          | A          |          | AA         |          | AAA        |          |
|----------------|----------|------------|----------|------------|----------|------------|----------|
| No.            | Part No. | H x W      |          | H x W      |          | H x W      |          |
|                |          | mm         | inch     | mm         | inch     | mm         | inch     |
| 1              | Mir0000  | 600 x 000  | 23.6 x 0 | 600 x 000  | 23.6 x 0 | 600 x 000  | 23.6 x 0 |
| 2              | Mir0000  | 700 x 000  | 27.5 x 0 | 700 x 000  | 27.5 x 0 | 700 x 000  | 27.5 x 0 |
| 3              | Mir0000  | 800 x 000  | 31.4 x 0 | 800 x 000  | 31.4 x 0 | 800 x 000  | 31.4 x 0 |
| 4              | Mir0000  | 900 x 000  | 35.4 x 0 | 900 x 000  | 35.4 x 0 | 900 x 000  | 35.4 x 0 |
| 5              | Mir0000  | 1000 x 000 | 39.3 x 0 | 1000 x 000 | 39.3 x 0 | 1000 x 000 | 39.3 x 0 |
| 6              | Mir0000  | 1100 x 000 | 43.3 x 0 | 1100 x 000 | 43.3 x 0 | 1100 x 000 | 43.3 x 0 |
| 7              | Mir0000  | 1200 x 000 | 47.2 x 0 | 1200 x 000 | 47.2 x 0 | 1200 x 000 | 47.2 x 0 |



5.1

## UR Senior Sign Family Suspended Directional

Mirtec Navigator Application B  
Suspended, Overhead

**NOTES:**

**a**

EXTRUSION finish/color options:  
are made from high quality aluminum 6063 with an anodized or oven cured coating

1. clear anodized aluminum

**b**

INSERT OPTIONS:

1. Graphic sign fronts:  
engraved, laminated, silk screened, Imprinted with braille or photo metal finished
2. Applied vinyl on aluminum insert
3. .040 aluminum backed photopolymer w/ raised symbols/copy and ADA compliant braille. Tip symbols/copy to contrast background Braille to remain background color
4. Acrylic cover w/ paper insert
5. Digital printing onto anodized aluminum by Primodize® or direct on clear cover

PANELS

1. Plastic divider black or silver with strips of clear cover
2. Natural or anodized alum strips

**c**

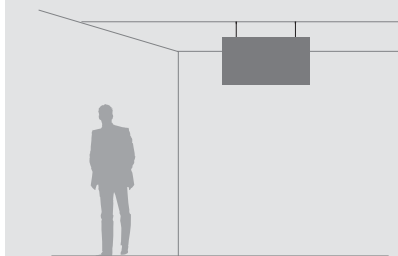
END CAPS finish/color options:

1. Clear anodized aluminum
2. Can be painted or powder coated
3. Gray or black ABS plastic

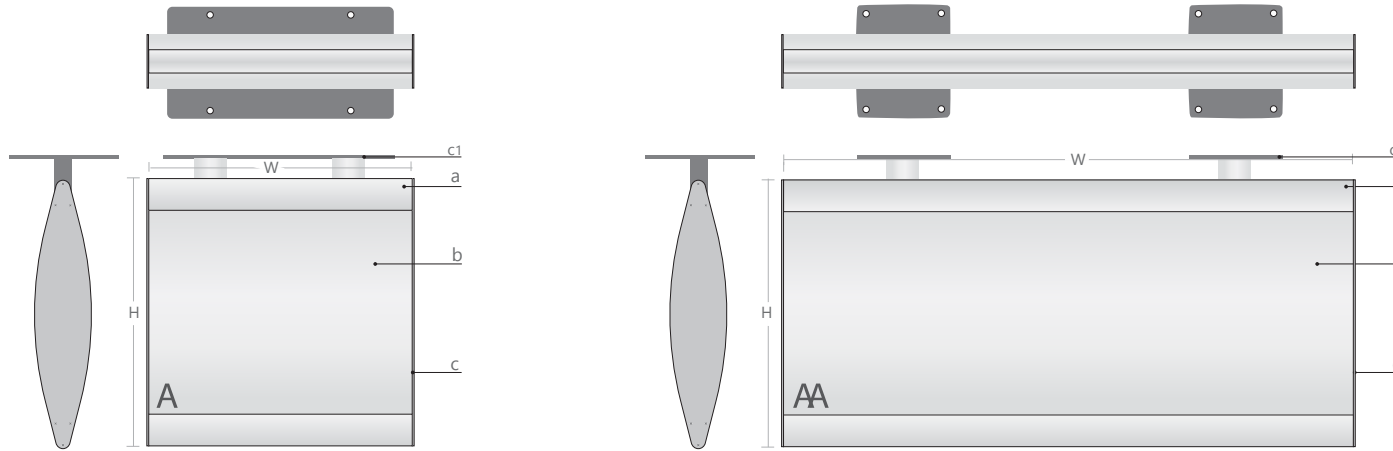
**d**

ACCENT BAR (available page no.\*)  
finish/color options:

1. Standard Mirtec anodized colors
2. Can be painted or powder coated

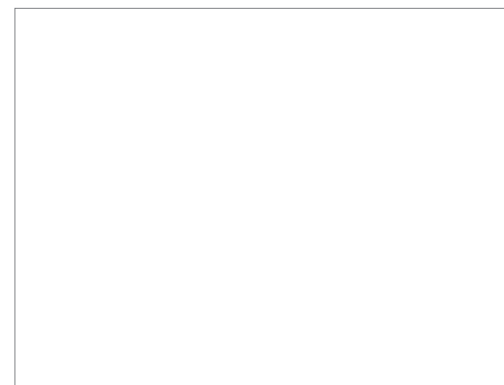






STANDARD OPTIONS:

| Standard sizes | No. | Part No. | A         |          | AA        |          | AAA       |          |
|----------------|-----|----------|-----------|----------|-----------|----------|-----------|----------|
|                |     |          | H x W     |          | H x W     |          | H x W     |          |
|                |     |          | mm        | inch     | mm        | inch     | mm        | inch     |
|                | 1   | Mir0000  | 600 x 000 | 23.6 x 0 | 600 x 000 | 23.6 x 0 | 600 x 000 | 23.6 x 0 |
|                | 2   | Mir0000  | 700 x 000 | 27.5 x 0 | 700 x 000 | 27.5 x 0 | 700 x 000 | 27.5 x 0 |
|                | 3   | Mir0000  | 800x 000  | 31.4x 0  | 800x 000  | 31.4x 0  | 800x 000  | 31.4x 0  |
|                | 4   | Mir0000  | 900 x 000 | 35.4 x 0 | 900 x 000 | 35.4 x 0 | 900 x 000 | 35.4 x 0 |
|                | 5   | Mir0000  | 1000 x000 | 39.3 x0  | 1000 x000 | 39.3 x0  | 1000 x000 | 39.3 x0  |
|                | 6   | Mir0000  | 1100 x000 | 43.3 x0  | 1100 x000 | 43.3 x0  | 1100 x000 | 43.3 x0  |
|                | 7   | Mir0000  | 1200 x000 | 47.2 x0  | 1200 x000 | 47.2 x0  | 1200 x000 | 47.2 x0  |



5.2

UR Senior Sign Family  
Suspended Directional

Mirtec Navigator Application B  
Suspended, Overhead

NOTES:

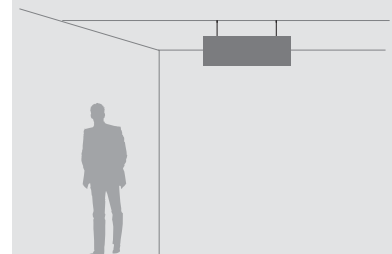
**a**  
EXTRUSION finish/color options:  
are made from high quality aluminum  
6063 with an anodized or oven cured  
coating  
1. clear anodized aluminum

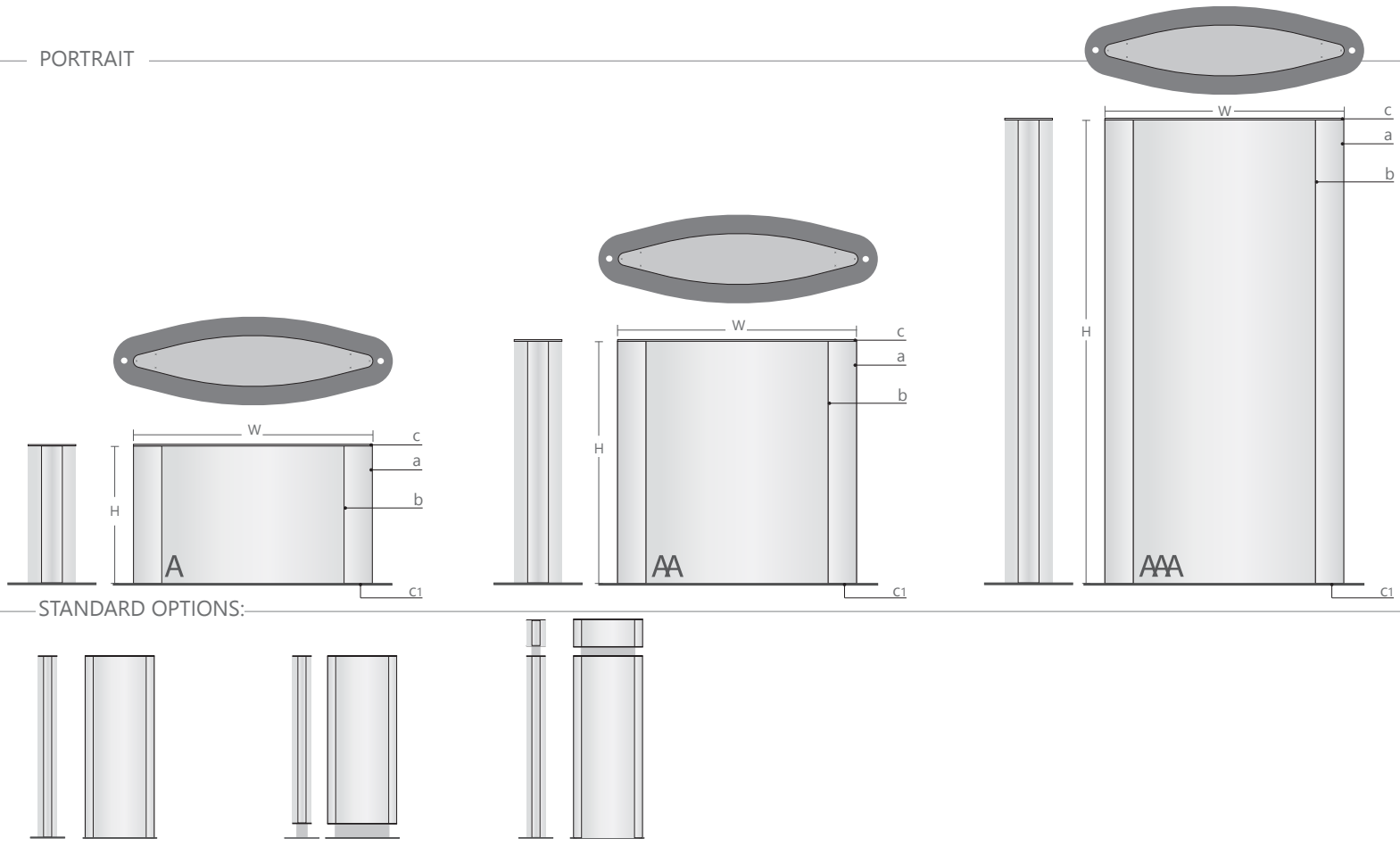
**b**  
INSERT OPTIONS:  
1. Graphic sign fronts:  
engraved, laminated, silk screened,  
Imprinted with braille or photo metal  
finished  
2. Applied vinyl on aluminum insert  
3. 1. .040 aluminum backed  
photopolymer w/ raised  
symbols/copy and ADA compliant  
braille. Tip symbols/copy to contrast  
background Braille to remain  
background color  
4. Acrylic cover w/ paper insert  
5. Digital printing onto anodized  
aluminum by Primodize ® or direct  
on clear cover

PANELS  
1. Plastic divider black or silver with  
strips of clear cover  
2. Natural or anodized alum strips

**c**  
END CAPS finish/color options:  
1. Clear anodized aluminum  
2. Can be painted or powder coated  
3. Gray or black ABS plastic

**d**  
ACCENT BAR (available page no.\*)  
finish/color options:  
1. Standard Mirtec anodized colors  
2. Can be painted or powder coated





## UR Senior Sign Family

### Base Mount Stand

Mirtec Navigator Application A  
Free Standing, Pylon, Totem, Tri-Angular,  
Post Sign, Monolith, POP Display, Floor Stand

#### NOTES:

**a**

EXTRUSION finish/color options:  
are made from high quality aluminum  
6063 with an anodized or oven cured  
coating

1. clear anodized aluminum

**b**

#### INSERT OPTIONS:

1. Painting on aluminum insert w/ graphics
2. Digital output w/ acrylic cover
3. Digital printing into anodized  
aluminum by Primodize®

#### Extrusion finish/color options:

1. Mirtec anodized aluminum
2. Painted standard colors
3. Powder coating

#### PANELS

1. Plastic divider black or silver with  
strips of clear cover
2. Natural or anodized alum strips

**c**

#### END CAPS finish/color options:

1. clear anodized aluminum
2. aluminum end cap painted  
standard or custom colors

**c1**

#### BASE:

Provided by Mirtec as painted  
galvanized steel w/ pre drilled  
holes to accept mounting screws  
MOUNTING:

Fabricator to utilize all  
thread and acorn nut method for  
floor mounting and provide no less  
than (6) six mounting screws for  
painted black galvanized steel base.  
freestanding option available.

| Standard sizes |          | A          |          | AA         |          | AAA        |          |
|----------------|----------|------------|----------|------------|----------|------------|----------|
| No.            | Part No. | H x W      |          | H x W      |          | H x W      |          |
|                |          | mm         | inch     | mm         | inch     | mm         | inch     |
| 1              | Mir0000  | 600 x 000  | 23.6 x 0 | 600 x 000  | 23.6 x 0 | 600 x 000  | 23.6 x 0 |
| 2              | Mir0000  | 700 x 000  | 27.5 x 0 | 700 x 000  | 27.5 x 0 | 700 x 000  | 27.5 x 0 |
| 3              | Mir0000  | 800 x 000  | 31.4 x 0 | 800 x 000  | 31.4 x 0 | 800 x 000  | 31.4 x 0 |
| 4              | Mir0000  | 900 x 000  | 35.4 x 0 | 900 x 000  | 35.4 x 0 | 900 x 000  | 35.4 x 0 |
| 5              | Mir0000  | 1000 x 000 | 39.3 x 0 | 1000 x 000 | 39.3 x 0 | 1000 x 000 | 39.3 x 0 |
| 6              | Mir0000  | 1100 x 000 | 43.3 x 0 | 1100 x 000 | 43.3 x 0 | 1100 x 000 | 43.3 x 0 |
| 7              | Mir0000  | 1200 x 000 | 47.2 x 0 | 1200 x 000 | 47.2 x 0 | 1200 x 000 | 47.2 x 0 |

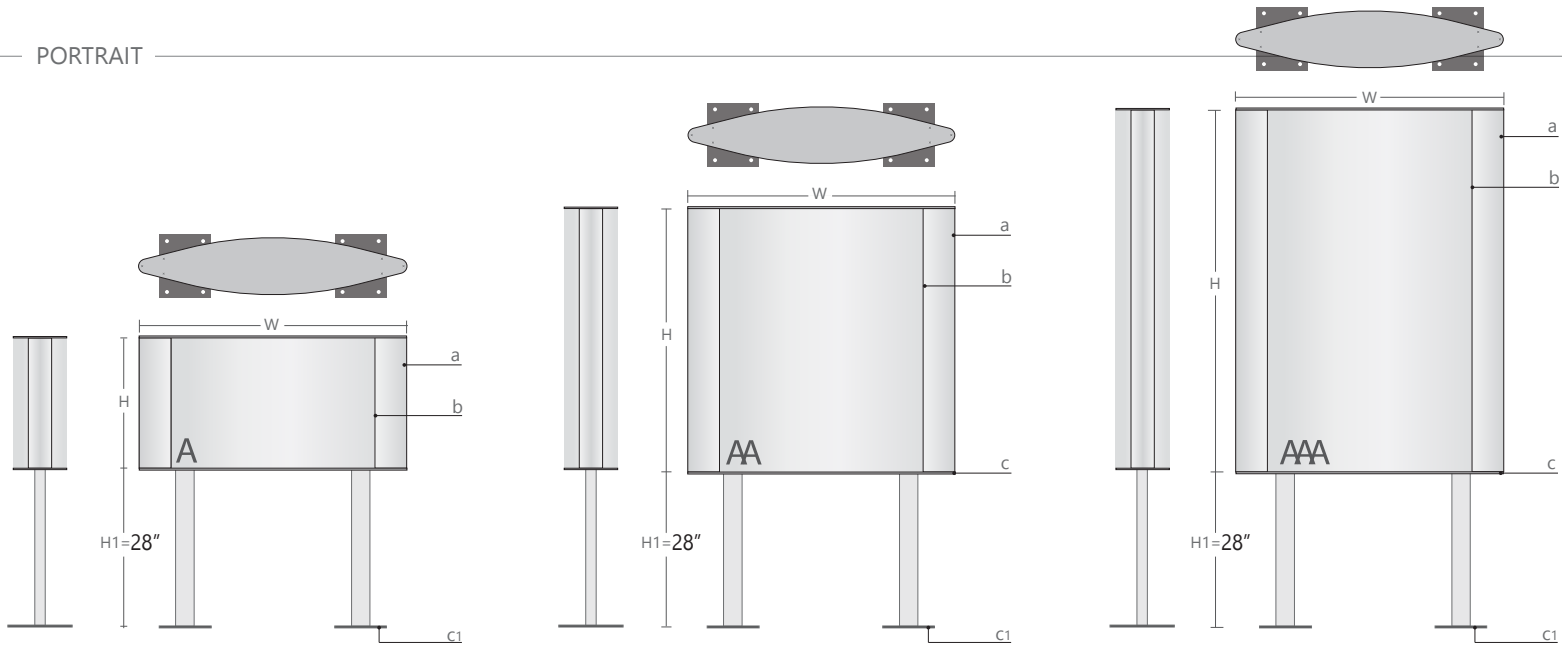
**d**

ACCENT BAR  
(available page no.\*)  
finish/color options:

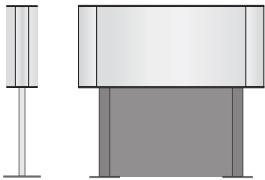
1. Standard Mirtec anodized  
colors
2. can be painted or powder  
coated



6.0

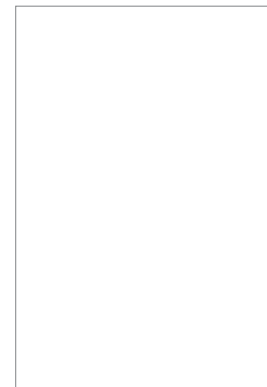


— STANDARD OPTIONS: —



| Standard sizes |          | A         |          | AA        |          | AAA       |          |
|----------------|----------|-----------|----------|-----------|----------|-----------|----------|
| No.            | Part No. | H x W     |          | H x W     |          | H x W     |          |
|                |          | mm        | inch     | mm        | inch     | mm        | inch     |
| 1              | Mir0000  | 600 x 000 | 23.6 x 0 | 600 x 000 | 23.6 x 0 | 600 x 000 | 23.6 x 0 |
| 2              | Mir0000  | 700 x 000 | 27.5 x 0 | 700 x 000 | 27.5 x 0 | 700 x 000 | 27.5 x 0 |
| 3              | Mir0000  | 800x 000  | 31.4x 0  | 800x 000  | 31.4x 0  | 800x 000  | 31.4x 0  |
| 4              | Mir0000  | 900 x 000 | 35.4 x 0 | 900 x 000 | 35.4 x 0 | 900 x 000 | 35.4 x 0 |
| 5              | Mir0000  | 1000 x000 | 39.3 x0  | 1000 x000 | 39.3 x0  | 1000 x000 | 39.3 x0  |
| 6              | Mir0000  | 1100 x000 | 43.3 x0  | 1100 x000 | 43.3 x0  | 1100 x000 | 43.3 x0  |
| 7              | Mir0000  | 1200 x000 | 47.2 x0  | 1200 x000 | 47.2 x0  | 1200 x000 | 47.2 x0  |

**d**  
 ACCENT BAR  
 (available page no.\*)  
 finish/color options:  
 1. Standard Mirtec anodized colors  
 2. Can be painted or powder coated



6.1

UR Senior Sign Family

Post - 2 Pole

Mirtec Navigator Application A  
 Free Standing, Pylon, Totem, Tri-Angular,  
 Post Sign, Monolith, POP Display, Floor Stand

NOTES:

**a**

EXTRUSION finish/color options:  
 are made from high quality aluminum  
 6063 with an anodized or oven cured  
 coating

1. clear anodized aluminum

**b**

INSERT OPTIONS:

1. Painting on aluminum insert w/ graphics
2. Digital output w/ acrylic cover
3. Digital printing into anodized  
 a aluminum by Primodize®

Extrusion finish/color options:

1. Mirtec anodized auminum
2. Painted standard colors
3. Powder coating

PANELS

1. Plastic divider black or silver with  
 strips of clear cover
2. Natural or anodized alum strips

**c**

END CAPS finish/color options:

1. clear anodized aluminum
2. aluminum end cap painted  
 standard or custom colors

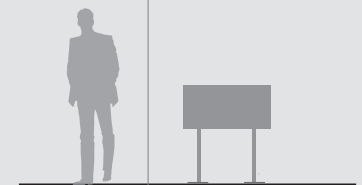
**c1**

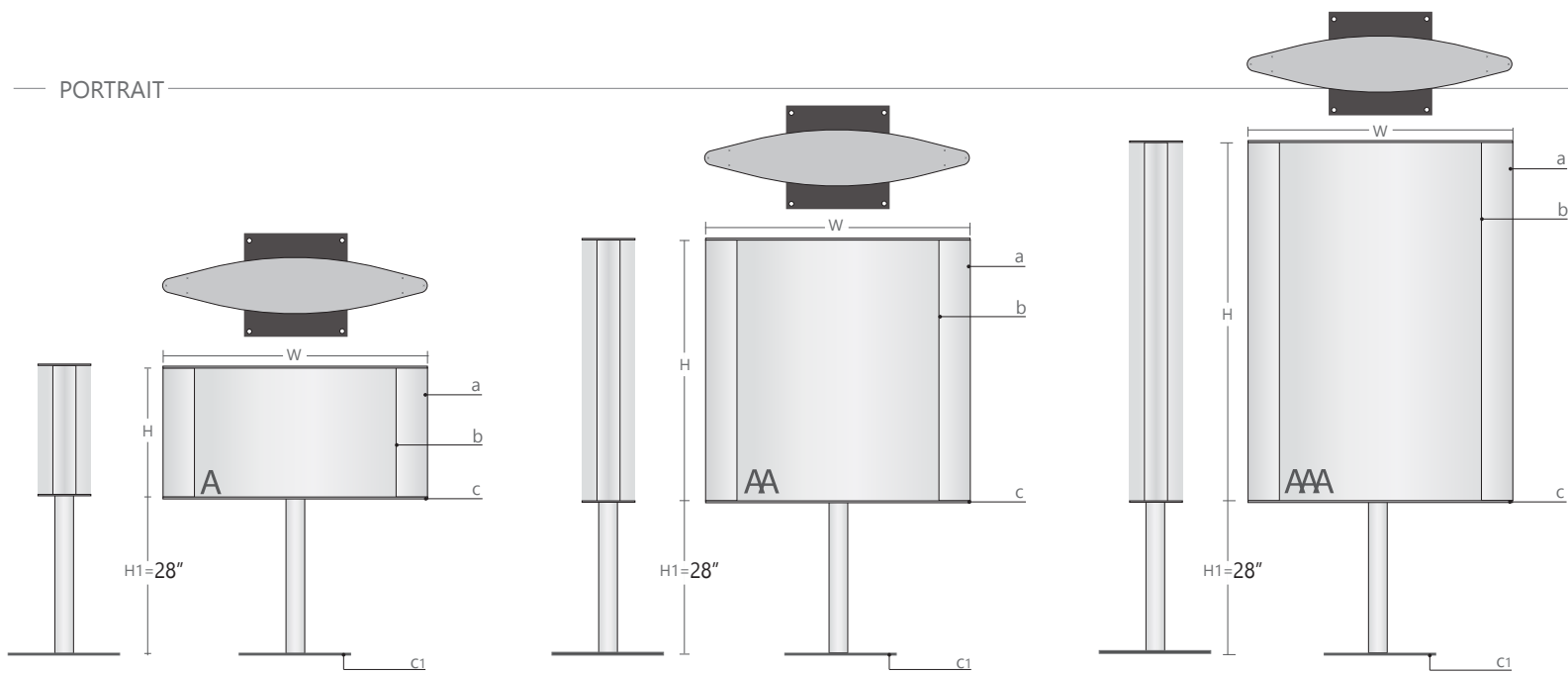
POLE & BASE:

Provided by Mirtec as painted  
 galvanized steel w/ pre drilled  
 holes to accept mounting screws

MOUNTING:

Fabricator to utilize all  
 thread and acorn nut method for  
 floor mounting and provide no less  
 than (6) six mounting screws for  
 painted black galvanized steel base.  
 freestanding option available.





— STANDARD OPTIONS: —

## UR Senior Sign Family

### Post -1 Pole

Mirtec Navigator Application A  
Free Standing, Pylon, Totem, Tri-Angular,  
Post Sign, Monolith, POP Display, Floor Stand

#### NOTES:

**a**

EXTRUSION finish/color options:  
are made from high quality aluminum  
6063 with an anodized or oven cured  
coating

1. clear anodized aluminum

**b**

#### INSERT OPTIONS:

1. Painting on aluminum insert w/ graphics
2. Digital output w/ acrylic cover
3. Digital printing into anodized  
aluminum by Primodize®

Extrusion finish/color options:

1. Mirtec anodized aluminum
2. Painted standard colors
3. Powder coating

#### PANELS

1. Plastic divider black or silver with  
strips of clear cover
2. Natural or anodized alum strips

**c**

#### END CAPS finish/color options:

1. clear anodized aluminum
2. aluminum end cap painted  
standard or custom colors

**c1**

#### POLE & BASE:

Provided by Mirtec as painted  
galvanized steel w/ pre drilled  
holes to accept mounting screws

#### MOUNTING:

Fabricator to utilize all  
thread and acorn nut method for  
floor mounting and provide no less  
than (6) six mounting screws for  
painted black galvanized steel base.  
freestanding option available.

| Standard sizes |          | A          |          | AA         |          | AAA        |          |
|----------------|----------|------------|----------|------------|----------|------------|----------|
| No.            | Part No. | H x W      |          | H x W      |          | H x W      |          |
|                |          | mm         | inch     | mm         | inch     | mm         | inch     |
| 1              | Mir0000  | 600 x 000  | 23.6 x 0 | 600 x 000  | 23.6 x 0 | 600 x 000  | 23.6 x 0 |
| 2              | Mir0000  | 700 x 000  | 27.5 x 0 | 700 x 000  | 27.5 x 0 | 700 x 000  | 27.5 x 0 |
| 3              | Mir0000  | 800 x 000  | 31.4 x 0 | 800 x 000  | 31.4 x 0 | 800 x 000  | 31.4 x 0 |
| 4              | Mir0000  | 900 x 000  | 35.4 x 0 | 900 x 000  | 35.4 x 0 | 900 x 000  | 35.4 x 0 |
| 5              | Mir0000  | 1000 x 000 | 39.3 x 0 | 1000 x 000 | 39.3 x 0 | 1000 x 000 | 39.3 x 0 |
| 6              | Mir0000  | 1100 x 000 | 43.3 x 0 | 1100 x 000 | 43.3 x 0 | 1100 x 000 | 43.3 x 0 |
| 7              | Mir0000  | 1200 x 000 | 47.2 x 0 | 1200 x 000 | 47.2 x 0 | 1200 x 000 | 47.2 x 0 |

**d**

#### ACCENT BAR

(available page no.\*)

finish/color options:

1. Standard Mirtec anodized  
colors
2. Can be painted or powder  
coated



6.2

