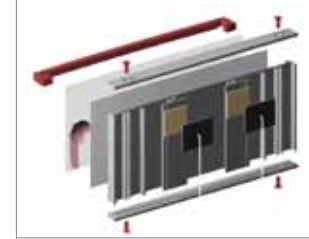
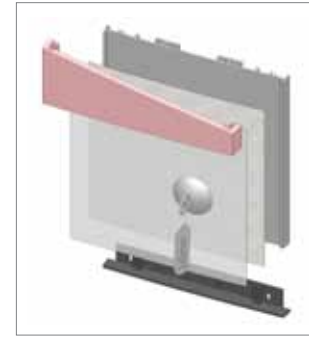


1. Room ID 8"x6"  
Mir2759



**d**  
ACCENT BAR  
(available page no. \*)  
finish/color options:  
1. Standard Mirtec anodized colors  
2. Can be painted or powder coated

Venus Accentia Sign Family

Room ID (AAA) 8"x 6"

NOTES:

- a**  
EXTRUSION finish/color options:  
are made from high quality aluminum 6063 with an anodized or oven cured coating  
1. Clear anodized aluminum
- b**  
INSERT OPTIONS:  
1. Graphic sign fronts:  
engraved, laminated, silk screened, Imprinted with braille or photo metal finished  
2. Applied vinyl on aluminum insert  
3. 1. .040 aluminum backed photopolymer w/ raised symbols/copy and ADA compliant braille. Tip symbols/copy to contrast background. braille to remain background color  
4. Acrylic cover w/ paper insert  
5. Digital printing onto anodized aluminum by Primodize ® or direct on clear cover
- c**  
END CAPS finish/color options:  
1. Clear anodized aluminum  
2. Can be painted or powder coated  
3. Gray or black ABS plastic  
Divider  
1. Natural or anodized alum strips

— STANDARD OPTIONS: —

