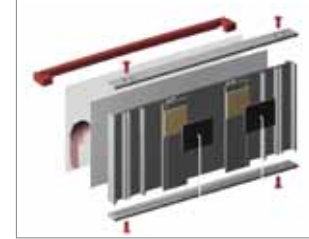
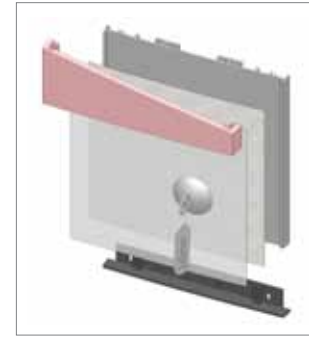


1. Room ID 11"x8.74"
Mir2771



d
ACCENT BAR
(available page no.)*
finish/color options:
1. Standard Mirtec anodized colors
2. Can be painted or powder coated

Venus Accentia Sign Family
Room ID (AAA) 11"x 8.74"

NOTES:

- a**
EXTRUSION finish/color options:
are made from high quality aluminum 6063 with an anodized or oven cured coating
1. Clear anodized aluminum
- b**
INSERT OPTIONS:
1. Graphic sign fronts:
engraved, laminated, silk screened, Imprinted with braille or photo metal finished
2. Applied vinyl on aluminum insert
3. 1. .040 aluminum backed photopolymer w/ raised symbols/copy and ADA compliant braille. Tip symbols/copy to contrast background. braille to remain background color
4. Acrylic cover w/ paper insert
5. Digital printing onto anodized aluminum by Primodize ® or direct on clear cover
- c**
END CAPS finish/color options:
1. Clear anodized aluminum
2. Can be painted or powder coated
3. Gray or black ABS plastic
- Divider
1. Natural or anodized alum strips

— STANDARD OPTIONS: —

