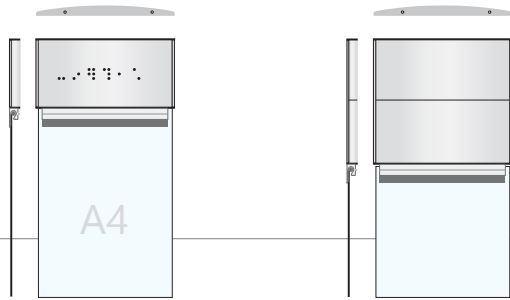
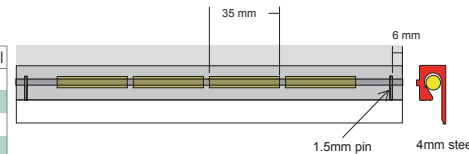


— STANDARD OPTIONS: —



| Extrusion | | Bar Width | | 4mmRoll |
|-----------|------|-----------|------|----------|
| mm | inch | mm | inch | Quantity |
| 150 | 5.90 | 136 | 5.35 | 4 |
| 200 | 7.87 | 186 | 7.32 | 6 |
| 221 | 5.90 | 207 | 8.14 | 6 |



| Standard sizes | | A | | AA | | AAA | |
|----------------|----------|-----------|-------------|-----------|-------------|-----------|-------------|
| No. | Part No. | H x W | | H x W | | H x W | |
| | | mm | inch | mm | inch | mm | inch |
| 1 | Mir0978 | 102 x 150 | 4 x 5.90 | 152 x 150 | 6 x 5.90 | 203 x 150 | 8 x 5.90 |
| 2 | Mir0979 | 152 x 200 | 6 x 7.87 | 203 x 200 | 8 x 7.87 | 254 x 200 | 10 x 7.87 |
| 3 | Mir1095 | 150 x 217 | 5.90 x 8.54 | 217 x 217 | 8.54 x 8.54 | 297 x 217 | 11.6 x 8.54 |
| 4 | Mir0979A | 152 x 221 | 6 x 8.70 | 221 x 221 | 8.70 x 8.70 | 280 x 221 | 11.0 x 8.70 |



1.7

Jupiter / Orion Sign Family Note Bar (Paper Holder)

Mirtec Navigator Application E
Name Plate, Door Sign, Cubical, Conference Room,
Miscellaneous ID, Suite ID, Policy Sign, In Use Slide,
ADA Room ID

NOTES:

a

EXTRUSION finish/color options:
are made from high quality aluminum
6063 with an anodized or oven cured
coating

1. Clear anodized aluminum

b

INSERT OPTIONS:

1. Graphic sign fronts:
engraved, laminated, silk screened,
Imprinted with braille or photo metal
finished
2. Applied vinyl on aluminum insert
3. 1. .040 aluminum backed
photopolymer w/ raised
symbols/copy and ADA compliant
braille. Tip symbols/copy to contrast
background. braille to remain
background color
4. Acrylic cover w/ paper insert
5. Digital printing onto anodized
aluminum by Primodize® or direct
on clear cover

c

END CAPS finish/color options:

1. Clear anodized aluminum
2. Can be painted or powder coated
3. Gray or black ABS plastic

d

ACCENT BAR (available page no.*) finish/color options:

1. Standard Mirtec anodized colors
2. Can be painted or powder coated

