

Jupiter / Orion Sign Family

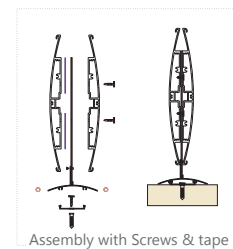
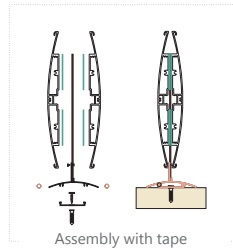
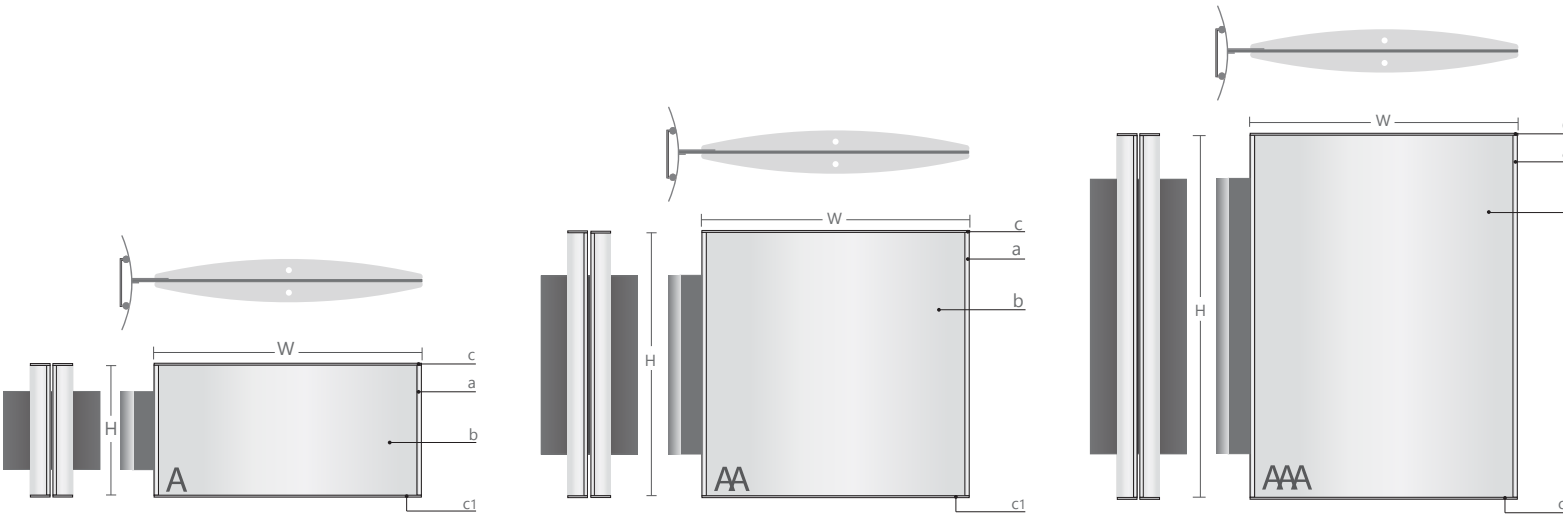
Projecting Sign Distanced

Mirtec Navigator Application B,C
 Flag Mount Attached Flag mounted,
 Distance Flag mounted,

NOTES:

- a**
 EXTRUSION finish/color options:
 are made from high quality aluminum 6063 with an anodized or oven cured coating
 1. Clear anodized aluminum
- b**
 INSERT OPTIONS:
 1. 1. .040 aluminum backed photopolymer w/ raised symbols/copy and ADA compliant braille. Tip symbols/copy to contrast background. braille to remain background color
 2. Digital printing onto anodized aluminum by Primodize ®
- c**
 END CAPS finish/color options:
 1. Clear anodized aluminum
 2. Can be painted or powder coated
 3. Gray or black ABS plastic
- C1**
 MOUNTING BRACKET finish/color options:
 1. Mirtec clear anodized aluminum
 2. Painted aluminum cap standard

- d**
 ACCENT BAR (available page no.*)
 finish/color options:
 1. Standard Mirtec anodized colors
 2. Can be painted or powder coated



Standard sizes		A		AA		AAA	
No.	Part No.	H x W		H x W		H x W	
		mm	inch	mm	inch	mm	inch
1	Mir1146New			102 x 100	4 x 3.93	203 x 100	8 x 3.93
2	Mir1147New			127 x 120	5 x 4.72	203 x 120	8 x 4.72
3	Mir1148New	102 x 150	4 x 5.90	152 x 150	6 x 5.90	254 x 150	10 x 5.90
4	Mir1149New	152 x 200	6 x 7.87	203 x 200	8 x 7.87	305 x 200	12 x 7.87
5	Mir1150New	152 x 217	6 x 8.54	217 x 217	8.54 x 8.54	297 x 217	11.6 x 8.54
6	Mir1151New	152 x 221	6 x 8.70	221 x 221	8.70 x 8.70	280 x 221	11 x 8.70



3.5

