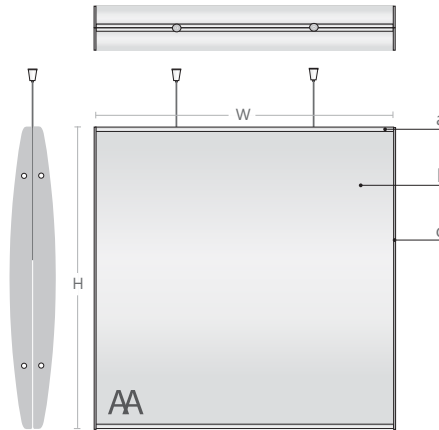
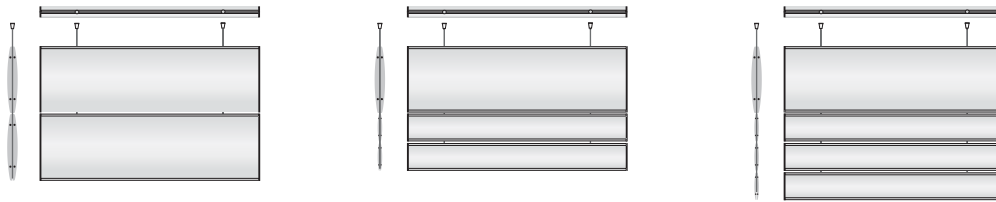


End cap on the sides



End cap on the sides

STANDARD OPTIONS:



Standart sizes	No.	Part No.	A		AA	
			H x W		H x W	
			mm	inch	mm	inch
	1	Mir0152S	60 x 400	2.36 x 15.7		
	2	Mir0153S	80 x 400	3.14 x 15.7		
	3	Mir0154S	100 x 500	3.93 x 19.6		
	4	Mir0155S	120 x 500	4.72 x 19.6		
	5	Mir0156S	150 x 600	5.90 x 23.6		
	6	Mir1099	200 x 610	7.87 x 24	200 x 200	7.87 x 7.87
	7	Mir0529S	217 x 610	8.54 x 24	217 x 217	8.54 x 8.54
	8	Mir0529SS	221 x 610	8.70 x 24	221 x 221	8.54 x 8.54
	9	Mir0529ES	300 x 910	11.8 x 35.8	300 x 300	8.70 x 8.70



5.1

Jupiter / Orion Sign Family

Suspended Directional

Mirtec Navigator Application B
Suspended, Overhead

NOTES:

- a**
- EXTRUSION finish/color options:
are made from high quality aluminum 6063 with an anodized or oven cured coating
1. clear anodized aluminum
- b**
- INSERT OPTIONS:
1. Graphic sign fronts:
engraved, laminated, silk screened, Imprinted with braille or photo metal finished
 2. Applied vinyl on aluminum insert
 3. 1. .040 aluminum backed photopolymer w/ raised symbols/copy and ADA compliant braille. Tip symbols/copy to contrast background Braille to remain background color
 4. Acrylic cover w/ paper insert
 5. Digital printing onto anodized aluminum by Primodize® or direct on clear cover

PANELS

1. Plastic divider black or silver with strips of clear cover
2. Natural or anodized alum strips

c

END CAPS finish/color options:

1. Clear anodized aluminum
2. Can be painted or powder coated
3. Gray or black ABS plastic

d

ACCENT BAR (available page no.*) finish/color options:

1. Standard Mirtec anodized colors
2. Can be painted or powder coated

