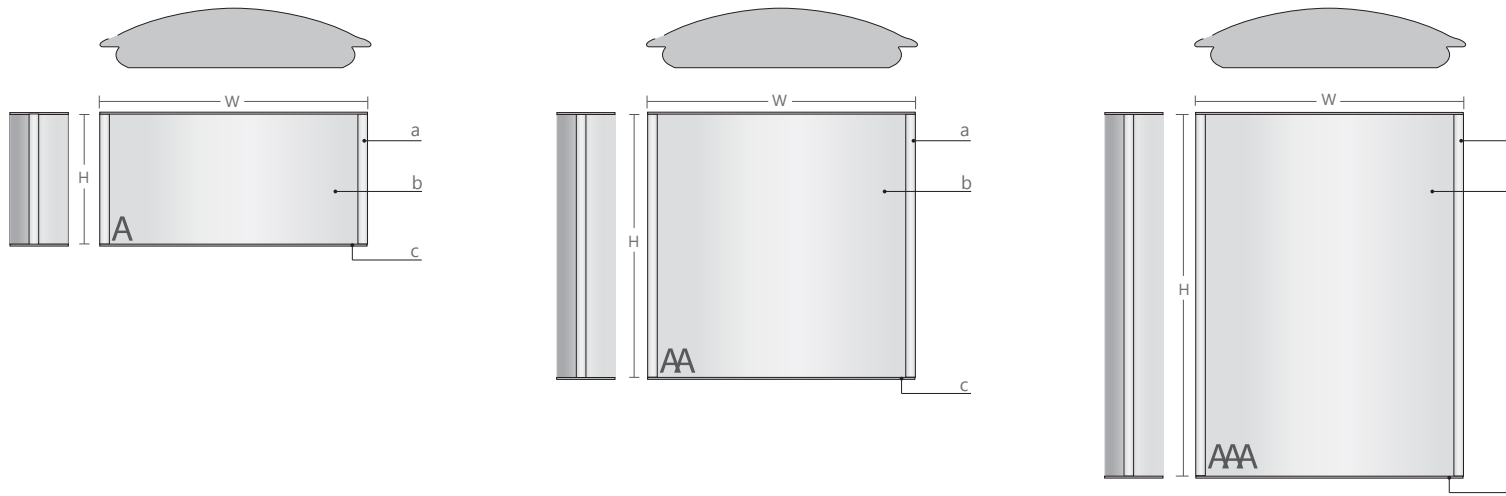


— PORTRAIT —



— STANDARD OPTIONS: —

Standard sizes	No.	Part No.	A		AA		AAA	
			H x W		H x W		H x W	
			mm	inch	mm	inch	mm	inch
	1	Mir1004	203 x 300	8 x 11.8	305 x 300	12 x 11.8	508 x 300	20 x 11.8
	2	Mir1005	305 x 400	12 x 15.7	406 x 400	16 x 15.7	610 x 400	24 x 15.7
	3	Mir1006	406 x 500	16 x 19.6	508 x 500	20 x 19.6	762 x 500	30 x 19.6
	4	Mir1007	508 x 600	20 x 23.6	610 x 600	24 x 23.6	864 x 600	34 x 23.6
	5	Mir1008	610 x 700	24 x 27.5	711 x 700	28 x 27.5	914 x 700	36 x 27.5
	6	Mir1009	711 x 800	28 x 31.4	813 x 800	32 x 31.4	1016 x 800	40 x 31.4
	7	Mir1010	813 x 900	32 x 35.4	914 x 900	36 x 35.4	1219 x 900	48 x 35.4
	8	Mir1011	914 x 1000	36 x 39.3	1016 x 1000	40 x 39.3	1524 x 1000	60 x 39.3

d
ACCENT BAR
 (available page no.*)
 finish/color options:
 1. Standard Mirtec anodized colors
 2. Can be painted or powder coated



4.1

Mercury Senior Sign Family

Directional

Mirtec Navigator Application B,C,D
 Multiple Panels

NOTES:

a

EXTRUSION finish/color options:
 are made from high quality aluminum 6063 with an anodized or oven cured coating

1. Clear anodized aluminum

b

INSERT OPTIONS:

1. Graphic sign fronts: engraved, laminated, silk screened, Imprinted with braille or photo metal finished
2. Applied vinyl on aluminum insert
3. 1. .040 aluminum backed photopolymer w/ raised symbols/copy and ADA compliant braille. Tip symbols/copy to contrast background braille to remain background color
4. Acrylic cover w/ paper insert
5. Digital printing onto anodized aluminum by Primodize® or direct on clear cover

PANELS

1. Natural or anodized alum strips

c

END CAPS finish/color options:

1. Clear anodized aluminum
2. Can be painted or powder coated
3. Gray or black ABS plastic
3. Clear anodized aluminum base