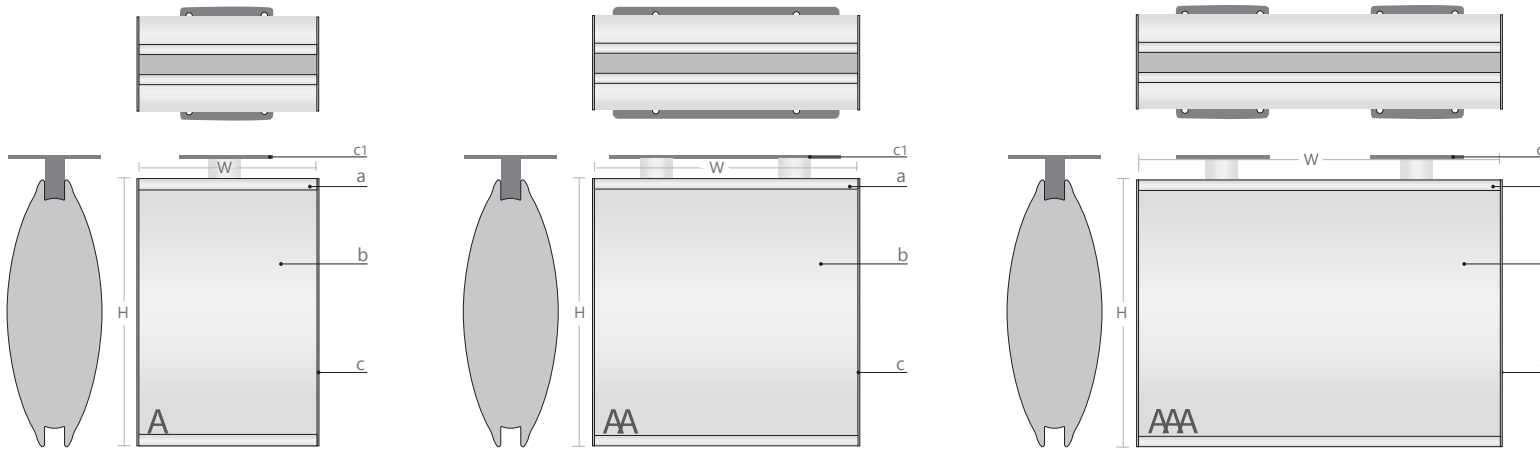
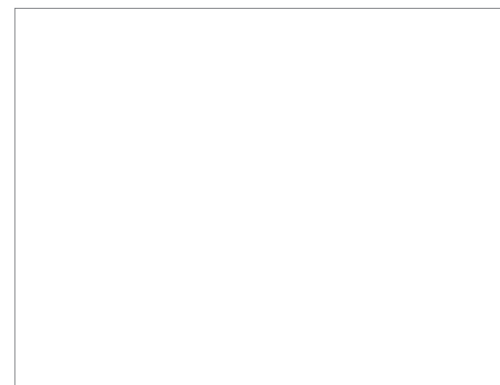


LANDSCAPE



STANDARD OPTIONS:

Standard sizes	No.	Part No.	A		AA		AAA	
			H x W		H x W		H x W	
			mm	inch	mm	inch	mm	inch
	1	Mir1004	300 x 00	11.8 x 0	300 x 00	11.8 x 0	300 x 00	11.8 x 0
	2	Mir1005	400 x 000	15.7 x 0	400 x 000	15.7 x 0	400 x 000	15.7 x 0
	3	Mir1006	500 x 000	19.6 x 0	500 x 000	19.6 x 0	500 x 000	19.6 x 0
	4	Mir1007	600 x 000	23.6 x 0	600 x 000	23.6 x 0	600 x 000	23.6 x 0
	5	Mir1008	700 x 000	27.5 x 0	700 x 000	27.5 x 0	700 x 000	27.5 x 0
	6	Mir1009	800x 000	31.4x 0	800x 000	31.4x 0	800x 000	31.4x 0
	7	Mir1010	900 x 000	35.4 x 0	900 x 000	35.4 x 0	900 x 000	35.4 x 0
	8	Mir1011	1000 x000	39.3 x0	1000 x000	39.3 x0	1000 x000	39.3 x0



5.2

# Mercury Senior Sign Family Suspended Directional

Mirtec Navigator Application B  
Suspended, Overhead

NOTES:

**a**  
EXTRUSION finish/color options:  
are made from high quality aluminum  
6063 with an anodized or oven cured  
coating  
1. clear anodized aluminum

**b**  
INSERT OPTIONS:  
1. Graphic sign fronts:  
engraved, laminated, silk screened,  
Imprinted with braille or photo metal  
finished  
2. Applied vinyl on aluminum insert  
3. 1. .040 aluminum backed  
photopolymer w/ raised  
symbols/copy and ADA compliant  
braille. Tip symbols/copy to contrast  
background Braille to remain  
background color  
4. Acrylic cover w/ paper insert  
5. Digital printing onto anodized  
aluminum by Primodize® or direct  
on clear cover

PANELS  
1. Plastic divider black or silver with  
strips of clear cover  
2. Natural or anodized alum strips

**c**  
END CAPS finish/color options:  
1. Clear anodized aluminum  
2. Can be painted or powder coated  
3. Gray or black ABS plastic

**d**  
ACCENT BAR (available page no.\*)  
finish/color options:  
1. Standard Mirtec anodized colors  
2. Can be painted or powder coated

