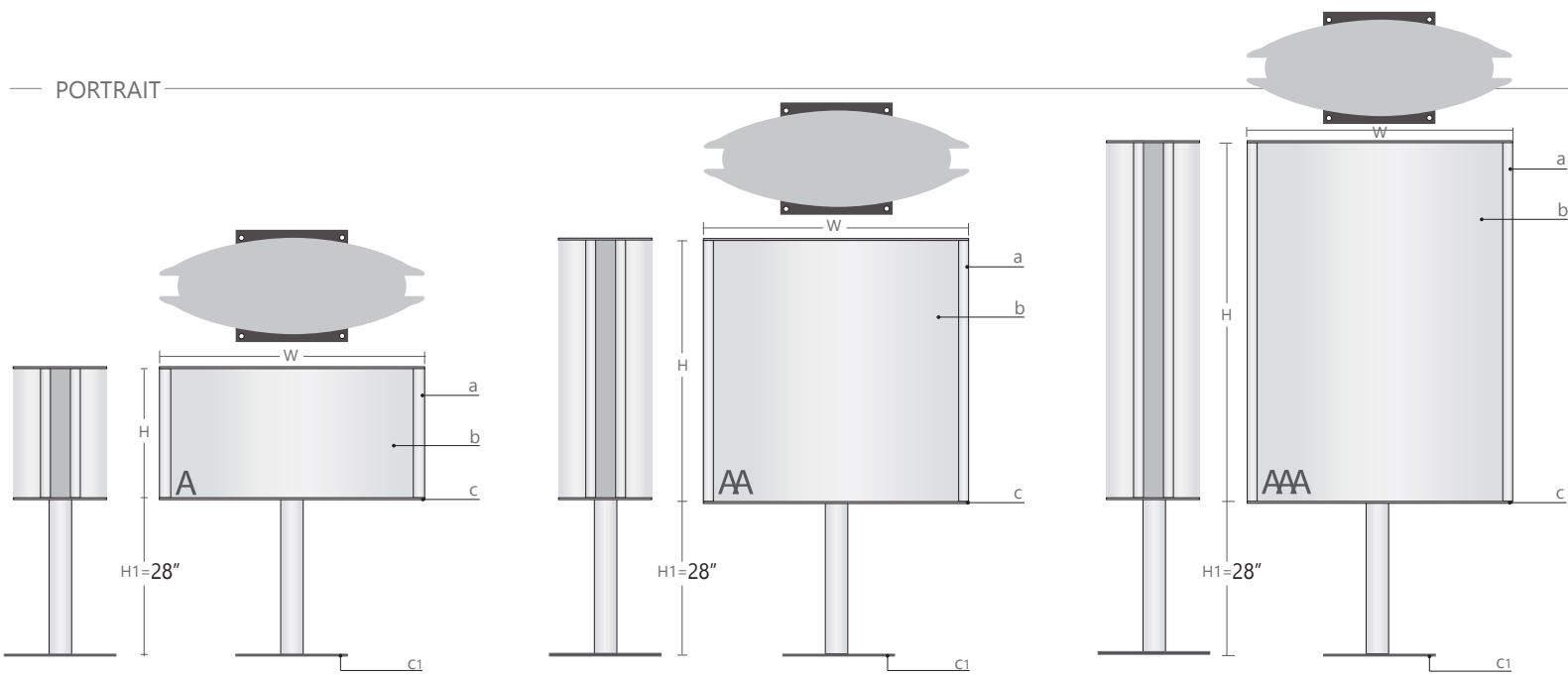


— PORTRAIT —



— STANDARD OPTIONS: —

Mercury Senior Sign Family

Post -1 Pole

Mirtec Navigator Application A  
Free Standing, Pylon, Totem, Tri-Angular,  
Post Sign, Monolith, POP Display, Floor Stand

NOTES:

**a**  
EXTRUSION finish/color options:  
are made from high quality aluminum  
6063 with an anodized or oven cured  
coating  
1. clear anodized aluminum

**b**  
INSERT OPTIONS:  
1. Painting on aluminum insert w/ graphics  
2. Digital output w/ acrylic cover  
3. Digital printing into anodized  
aluminum by Primodize®

Extrusion finish/color options:  
1. Mirtec anodized aluminum  
2. Painted standard colors  
3. Powder coating

PANELS  
1. Plastic divider black or silver with  
strips of clear cover  
2. Natural or anodized alum strips

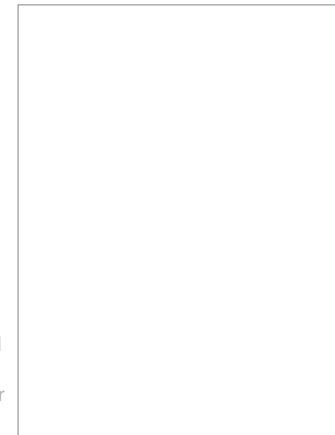
**c**  
END CAPS finish/color options:  
1. clear anodized aluminum  
2. aluminum end cap painted  
standard or custom colors

**c1**  
POLE & BASE:  
Provided by Mirtec as painted  
galvanized steel w/ pre drilled  
holes to accept mounting screws

MOUNTING:  
Fabricator to utilize all  
thread and acorn nut method for  
floor mounting and provide no less  
than (6) six mounting screws for  
painted black galvanized steel base.  
freestanding option available.

Standard sizes		A		AA		AAA	
No.	Part No.	H x W		H x W		H x W	
		mm	inch	mm	inch	mm	inch
1	Mir0000	305 x 600	12 x 23.6	605 x 600	24 x 23.6	1981 x 600	78 x 23.6
2	Mir0000	356 x 900	14 x 35.4	889 x 900	39 x 35.4	1981 x 900	78 x 35.4
3	Mir0000	405 x 1000	16 x 39.3	1067 x 1000	42 x 39.3	1981 x 1000	78 x 39.3

**d**  
ACCENT BAR  
(available page no.\*)  
finish/color options:  
1. Standard Mirtec anodized  
colors  
2. Can be painted or powder  
coated



6.2