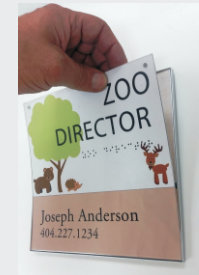


Fascia Sign Family  
Room ID 6"x6" MPH+Panel



a

EXTRUSION  
are made from high quality aluminum 6063 thickness of 3 mm 0.118"

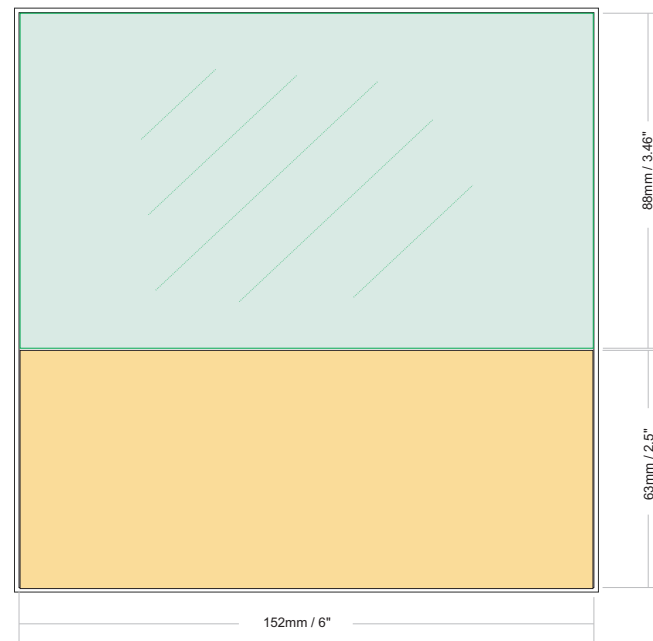
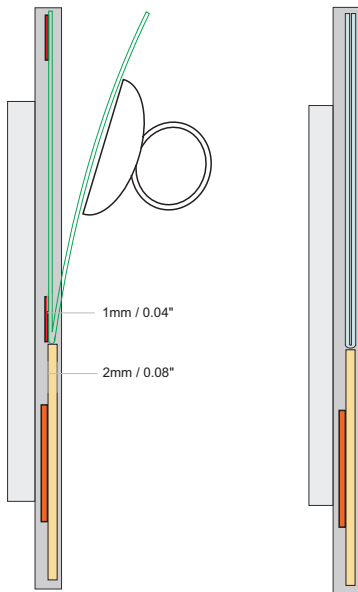
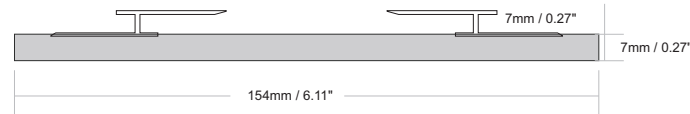
Standard finish colors  
1. Clear anodized aluminum

Custom Made finish color options:  
1. powder coating  
2. painting

b

GRAPHIC METHOD  
Up datable inserts behind acrylic panel  
1. w/in-house computer paper inserts  
2. Silk screen Printing  
3. Digital Printing  
4. . vinyl inserts, alum' inserts or materials with a small degree of flexibility, such acrylic, wood veneer...

Acrylic Panel Surface  
1. on acrylic surface ADA and Brail  
2. Digital Printing on vinyl  
3. Silk screen Printing on vinyl



scale 1:2

1.15

